

# MICRO SWITCH

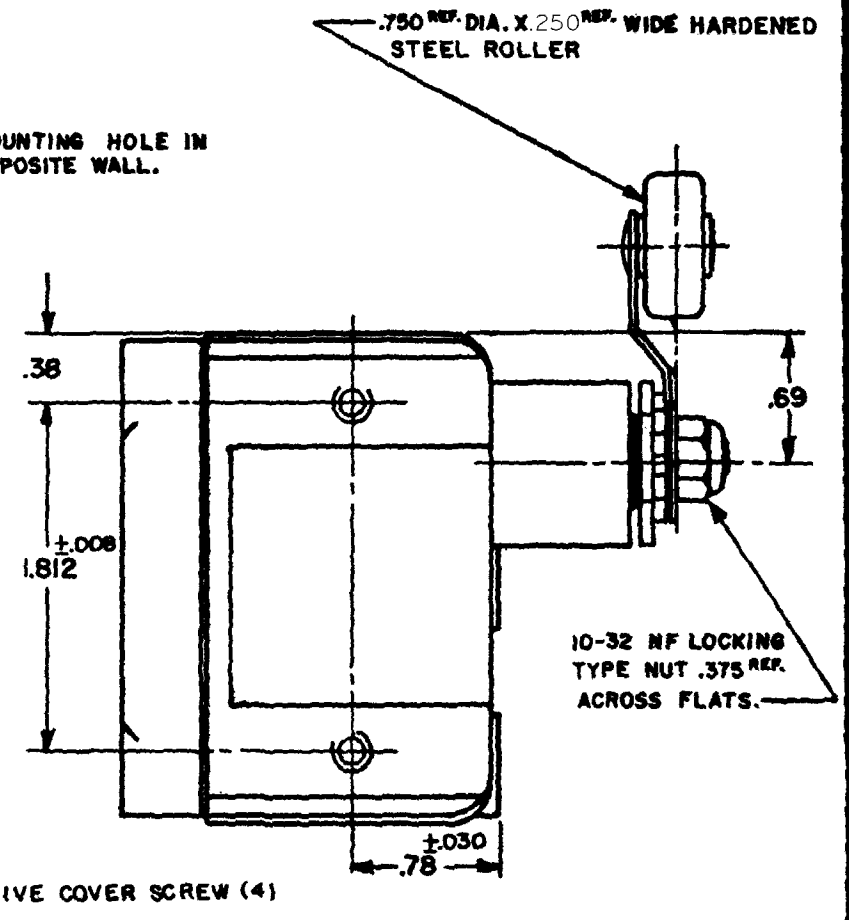
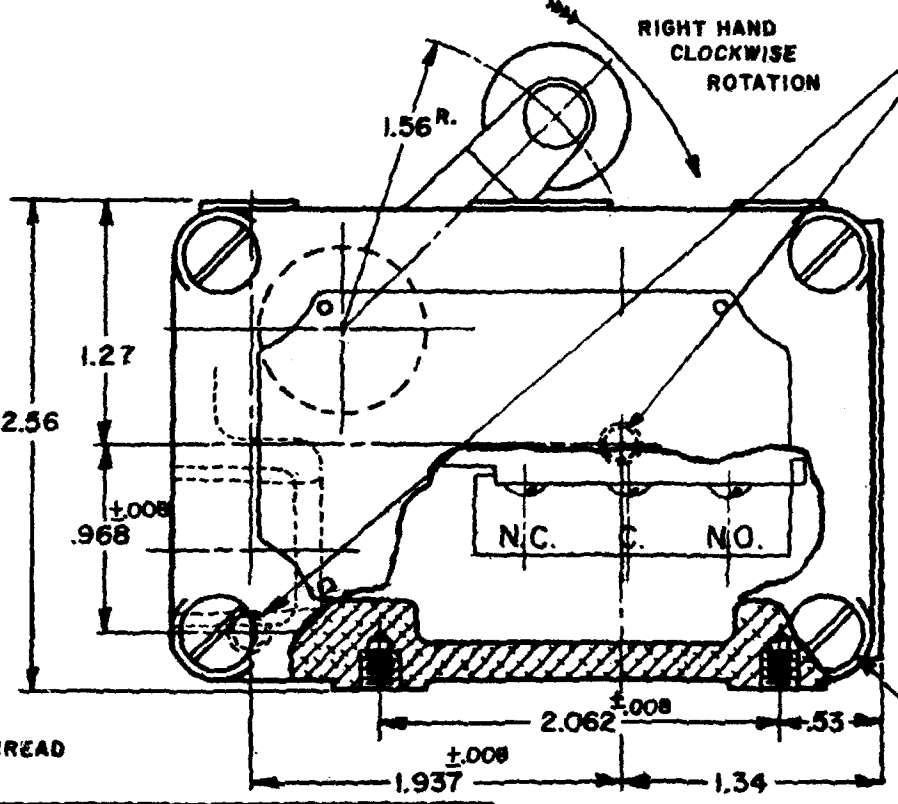
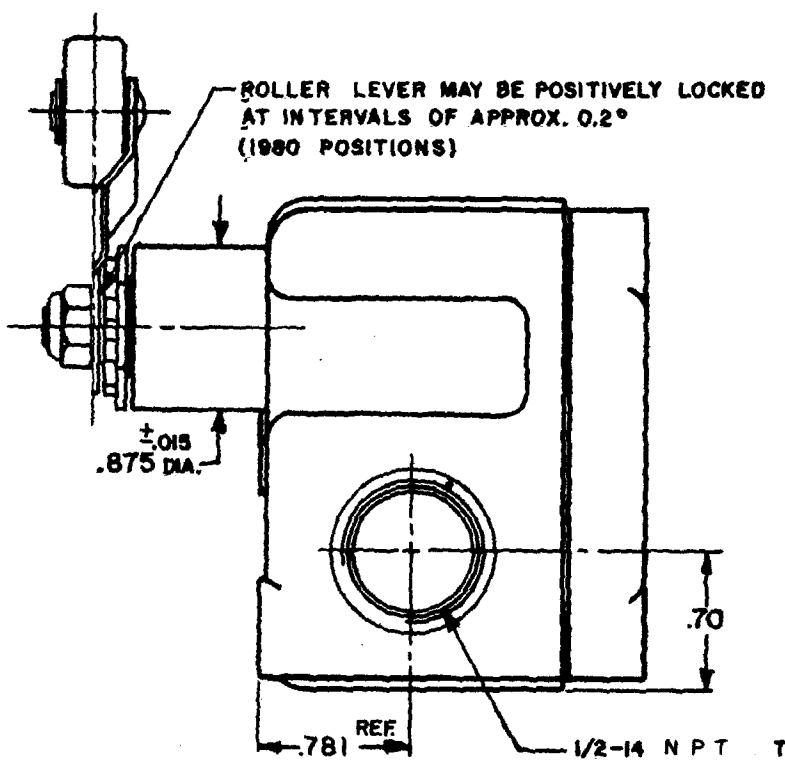
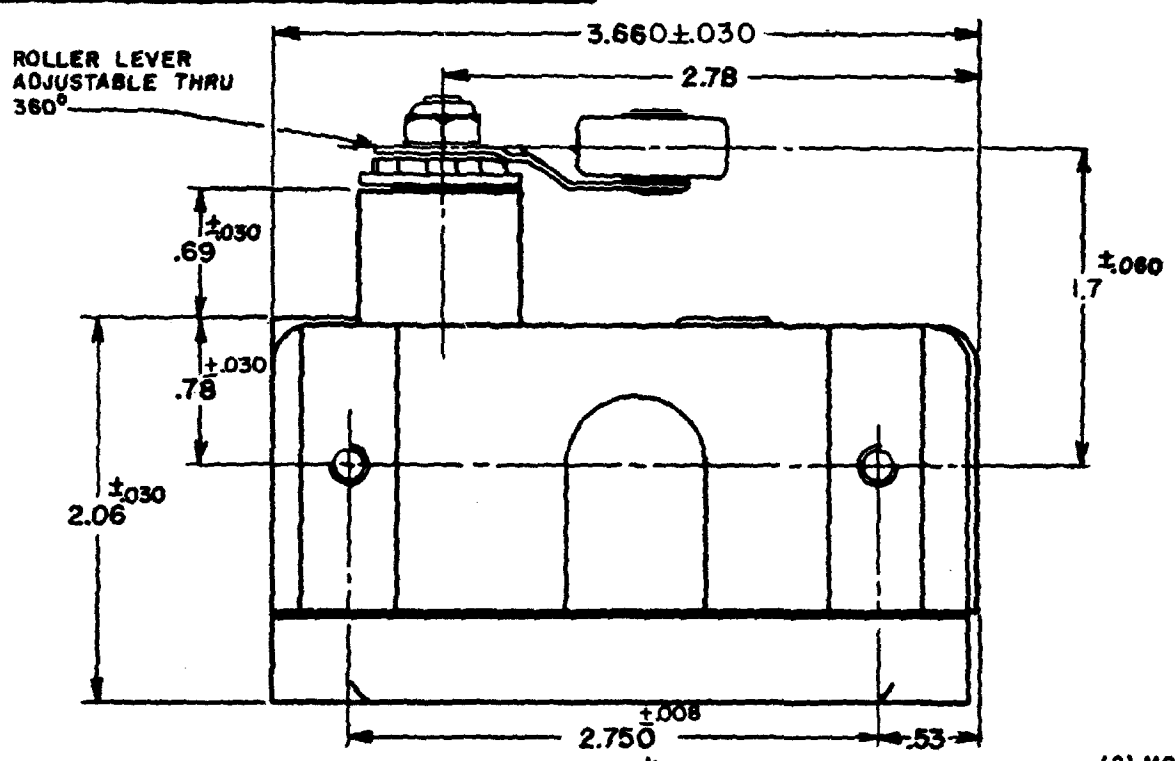
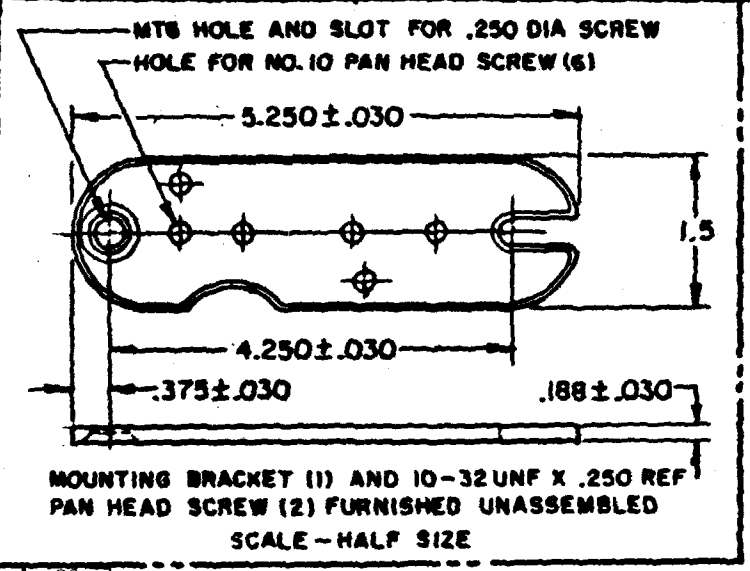
A DIVISION OF AMPHENOL HONEYWELL DEPARTMENT COMPANY  
FED. MFR. CODE 91929

## SWITCH-ENCLOSED

CATALOG LISTING  
**OPD-AR**

THIS DRAWING COVERS A PROPRIETARY ITEM AND IS THE PROPERTY OF MICRO SWITCH, A DIVISION OF HONEYWELL. THIS DRAWING IS NOT TO BE COPIED OR USED WITHOUT THE APPROVAL OF MICRO SWITCH.

OPD-AR  
 DRAWING NUMBER  
 ISSUE  
 REVISIONS  
 C.M.A. 18 AUG. 55  
 G.J.W. 10 OCT 52  
 L. 073344  
 G.J.W. 26 MAR 55  
 K. C053031  
 5 NOV 54  
 JAS  
 G.C.H. 12 SEPT. 55  
 G.C.H. 12 SEPT. 55  
 H. C02803  
 13 OCT 58  
 M.B.F.  
 G.C.O. 19878  
 22 JUNE 64  
 M.B.F.  
 G.C.O. 18278  
 17 JULY 59  
 L.S.O.  
 G.C.O. 13827  
 16 JAN 59  
 M.B.F.  
 G.C.O. 11034  
 22 OCT 56  
 O.M.W.  
 G.C.O. 1034  
 13 DEC 56  
 K.A.F.  
 G.C.O. 1034  
 22 OCT 56  
 CORR.  
 G.C.O. 9182  
 18 AUG 55  
 C.M.A.



CHARACTERISTICS	
OPERATING FORCE	8-24 OZ.
RELEASE FORCE	4-12 OZ.
PRETRAVEL	.250 MAX.
DIFFERENTIAL TRAVEL	.109 MAX.
DO NOT OVERTRAVEL MORE THAN 25°	
BASIC SWITCH REPLACEMENT OT-2R4-A7	

ELECTRICAL DATA	
CONTACT ARRANGEMENT	D. P. D. T.
-L59-	10 A-125 OR 250 VAC 0.3 A-125 VDC; 0.15 A-250 VDC

SCALE FULL	
DO NOT SCALE PRINT	
UNLESS OTHERWISE SPECIFIED DIMENSIONS ARE IN INCHES	
TOLERANCES ARE:	
ONE PLACE (.1)	±.030
TWO PLACE (.01)	±.015
THREE PLACE (.001)	±.005
ANGLE	±
WEIGHT	

- NOTE-
- (8) MOUNTING SCREW HOLES, 10-32 NF-28 THREADS X .219 REF. DEEP.
  - 4-40 NC X J25 REF. ROUND HEAD TERMINAL SCREWS AND LOCKWASHERS.
  - SEALED CONSTRUCTION PROVIDES SPLASH RESISTANCE.